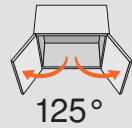


Hinges



CLIP top BLUMOTION 125° Zero Protrusion for Thicker Doors



Features

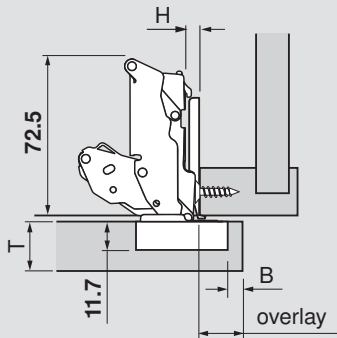
- Zero protrusion hinge for thicker doors
- For use in cabinets with interior roll-outs
- Three-dimensional adjustment
- For door thicknesses up to 30 (1-3/16")
- 92° angle restriction clip available (70T7553)
- All metal hinge, nickel-plated

		Minimum reveal table						
3	0	0	0	0	0	0	0	
4	0	0	0	0	0	0	0	
5	0	0	0	0	0	0	0	
6	0	0	0	0	0	0	0	
7	0	0	0	0	0	0	0	
8	0	0	0	0	0	0	0	
B = boring distance	19	20	22	24	26	28	30	
T = door thickness								

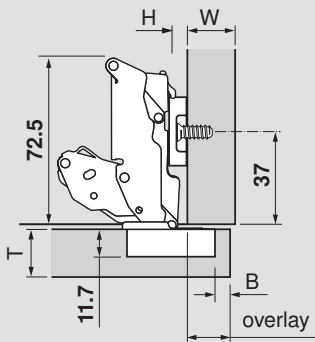
Thickness greater than 30 mm, see next page

Overlay

Frame

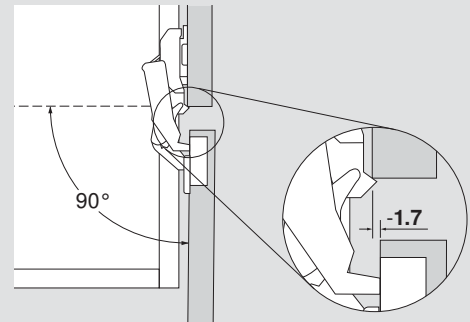


Frameless



Door protrusion

At 90° opening, using 0 mm plate, the door will have -1.7 mm protrusion regardless of boring distance. Use side adjustment to increase or decrease door protrusion.



NOTE: Use of 0 mm or 3 mm is recommended for zero protrusion

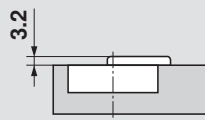
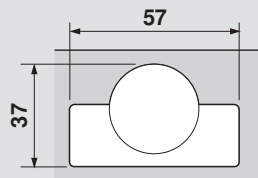
Hinges per door

This chart can serve as a guide for determining the number of hinges per door. Note that door weight can also determine the number of hinges required for each door.

Cabinet height	Hinges required per door			
	2	3	4	5
100"				
80"				
60"				
40"		15-30 lb	30-45 lb	45-60 lb
20"	<15 lb			

NOTE: The distance between the top and bottom hinges must be greater than the width of the door

Hinge cup dimensions



Cover cap



- For use with zero protrusion hinges
- Steel, nickel-plated
- Custom logo available

Part no.

Cover cap **70.4503**

Abbreviations

H	= Plate height
P	= Door protrusion
S	= Side arm protrusion
T	= Door thickness
W	= Side panel width

H	Overlay						P	S	
0	14	15	16	17	18	19	-1.7	63	
3	11	12	13	14	15	16	1.3	66	
	3	4	5	6	7	8	Fixed distance = 11		
B = boring distance									

Straight-arm

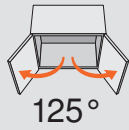
Screw-on

Press-in

Soft close

71B7550D

71B7580D



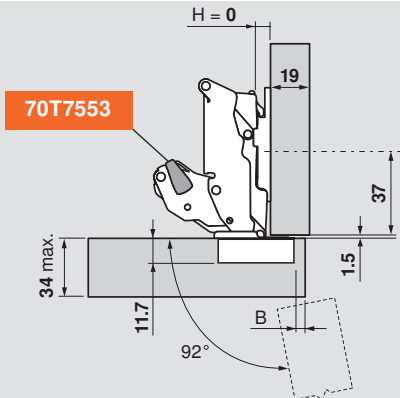
CLIP top BLUMOTION 125° Special Applications

Hinges



CLIP top
BLUMOTION

Maximum door thickness

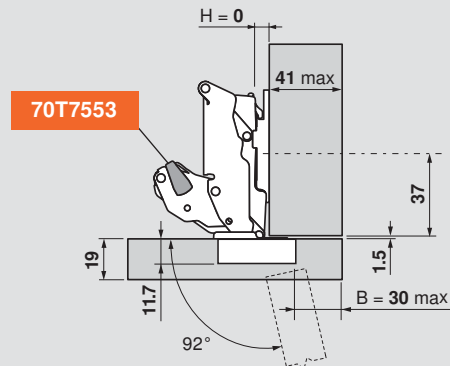


70T7553

NOTE: Thickness of 30 mm or greater, angle restriction clip required

H	Overlay					
0	14	15	16	17	18	19
	3	4	5	6	7	8
	B = boring distance					

Maximum door overlay



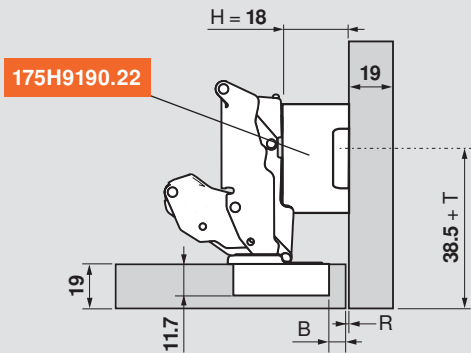
70T7553

NOTE: Must use angle restriction clip to achieve application

H	Overlay			
0	36	38	39	41
	25	27	28	30
	B = boring distance			

NOTE: Inset application can also be achieved with a straight-arm hinge with a 18 mm plate. Setback of mounting plate would be 38.5 mm + door thickness.

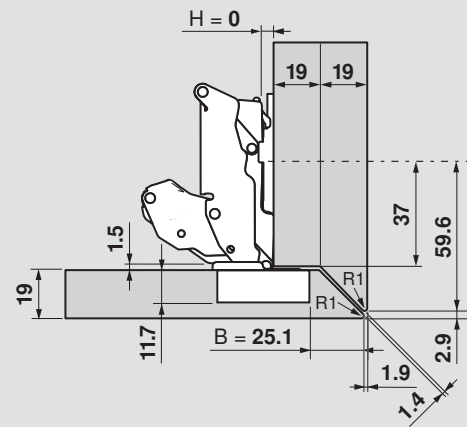
Inset panel application



175H9190.22

H	Reveal					
18	4.5	3.5	2.5	1.5	0.5	-
	3	4	5	6	7	8
	B = boring distance					

Mitered door with large overlay



For all special applications, a trial application is always recommended

NOTE: Special applications can be achieved in face frame cabinets by blocking out behind the frame or use of the new CLIP wing plates (pages 62-63)

Angle restriction clip



- For use with zero protrusion hinges
- Gray nylon

Part no.

92° restriction clip

70T7553